

Chapter 06

Dimensions and Areas

TABLE OF CONTENTS

Chapter	Title	
06-00-00	GENERAL	3
06-10-00	MAIN DATA	4
06-10-01	Main Dimensions	4
06-10-02	Wing	4
06-10-03	Horizontal Tail	4
06-10-04	Elevator	5
06-10-05	Vertical Tail	5
06-10-06	Rudder	5

06-00-00

GENERAL

The for measuring and weighing the aircraft relevant reference planes are the following:

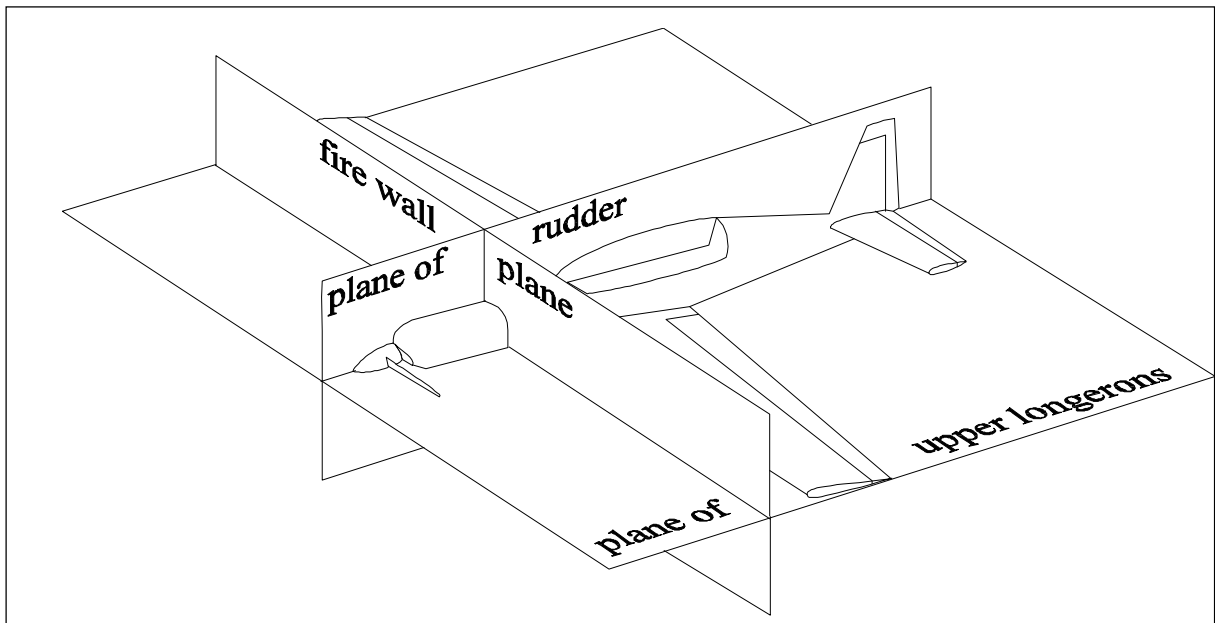
Reference Planes

Plane of upper longerons (horizontal plane)

Plane of rudder (Vertical/symmetry plane)

Fire wall plane (Vertical plane)

The following figure 1 shows the aircraft planes :



*Axes and planes
Figure 1*

Unless otherwise stated, all measurements given in this manual are in metric (additional in feet) and are measured parallel to the corresponding reference planes.

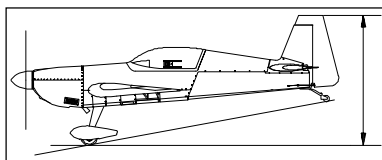
06-10-00

MAIN DATA

06-10-01

Main Dimensions

(Refer to Figure 2)



Height 1



Height 2

Length: 6.65 m (21.82 ft)

Height 1: 2.62 m (8.60 ft)

Height 2: 2.59 m (8.45 ft)

Span: 7.50 m (24.61 ft)

Wheelbase: 4.75 m (15.58 ft)

Wheel-track: 1.80 m (5.91 ft)

MTOW: Normal category
920 kg (2028 lbs)
Acro (1 seat)
820 kg (1808 lbs)

06-10-02

Wing

Span: 7.50 m (24.61 ft)

Area: 10.44 m² (112.38 ft²)

Airfoil: Root: MA 15 S. Tip: MA 12 S

Chord: Root: 1.85 m. Tip: 0.93 m

MAC: 1.44 m (4.72 ft)

Aileron area: 2 x 0.830 m² (2 x 8.94 ft²)

Aileron deflection: ± 30°, tolerance ± 2°

06-10-03

Horizontal Tail

Span: 3.20 m (10.50 ft)
Area: 2.56 m² (27.56 ft²)
Airfoil: Wortmann FX 71-L-150/30

06-10-04

Elevator

Area: 0.77 m² (8.29 ft²)
Elevator-deflection: up 25°, down 25°, tolerance ± 2°
Trim-tab-deflection: up 15°, down 15°, tolerance ± 2°

06-10-05

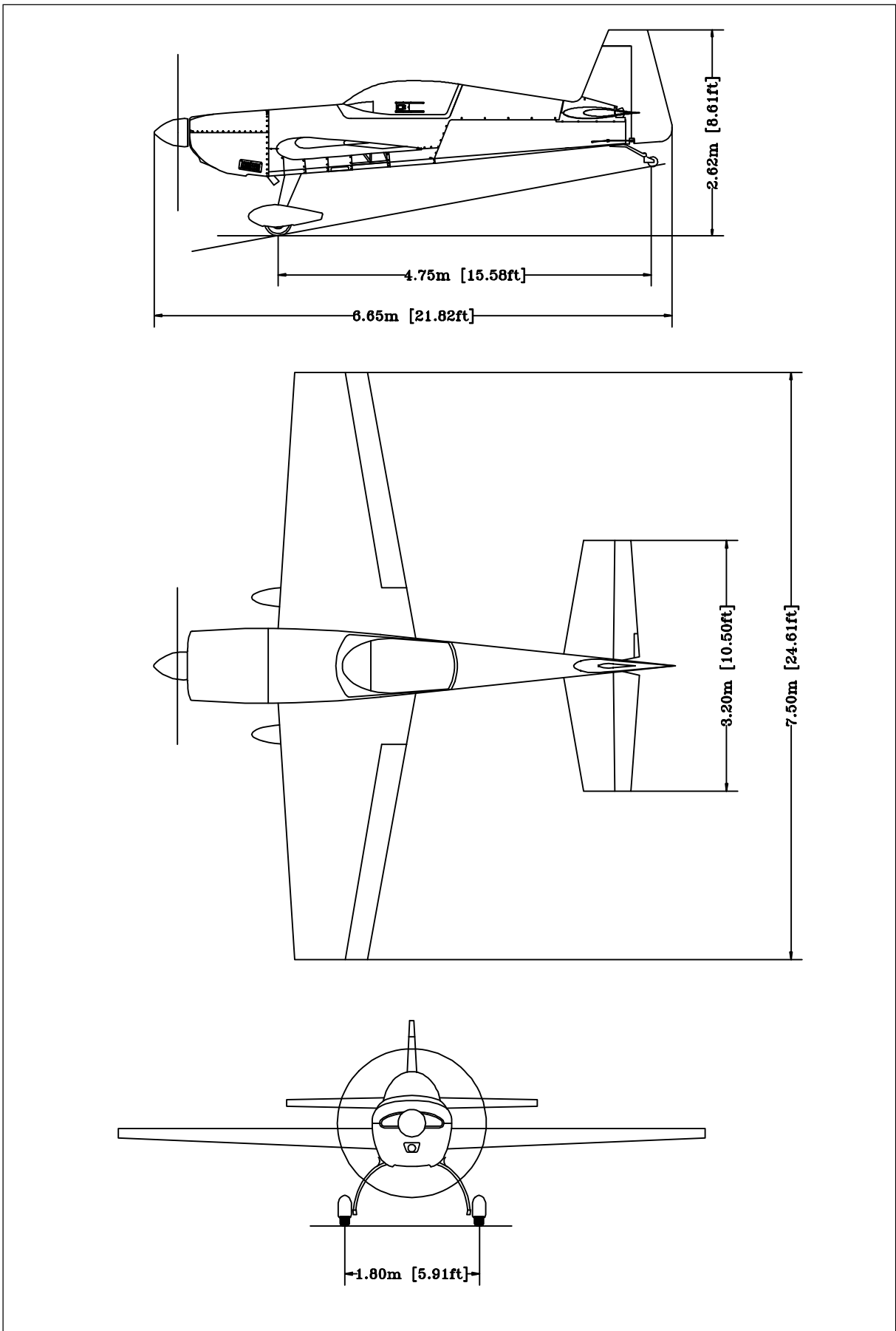
Vertical Tail

Area: 1.39 m² (14.96 ft²)
Airfoil: Wortmann FX 71-L-150/30

06-10-06

Rudder

Area: 0.51 m² (5.49 ft²)
Rudder deflection: left 30°, right 30°, tolerance ± 2°



Three-View EXTRA 300S
Figure 2