

# **Chapter 06**

## **Dimensions and Areas**

## TABLE OF CONTENTS

Chapter	Title	
<b>06-00</b>	<b>-00..... GENERAL</b>	
<b>3</b>		
<b>06-10</b>	<b>-00..... MAIN DATA</b>	
<b>4</b>		
06-10-01	Main Dimensions.....	4
06-10-02	Wing.....	4
06-10-03	Horizontal Tail.....	4
06-10-04	Elevator.....	5
06-10-05	Vertical Tail.....	5
06-10-06	Rudder.....	5

## 06-00-00

## GENERAL

The for measuring and weighing the aircraft relevant reference planes are the following:

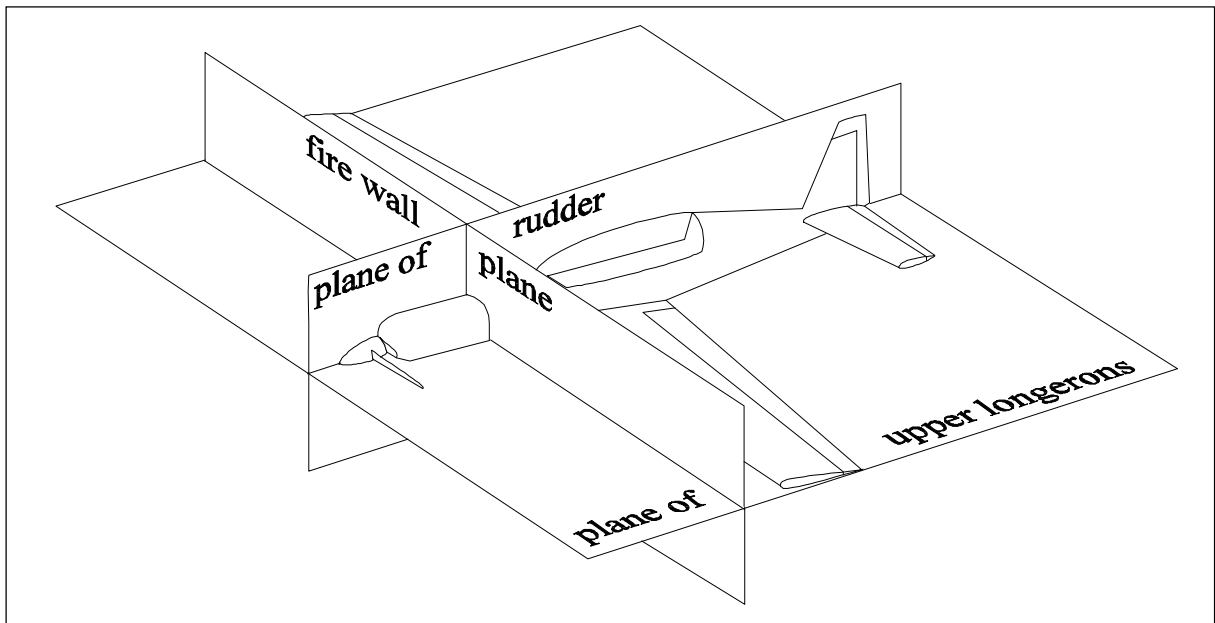
### Reference Planes

Plane of upper longerons (horizontal plane)

Plane of rudder (Vertical/symmetry plane)

Fire wall plane (Vertical plane)

The following figure 1 shows the aircraft planes :



*Axes and Planes*  
*Figure 1*

Unless otherwise stated, all measurements given in this manual are in metric (additional in feet) and are measured parallel to the corresponding reference planes.

## 06-10-00

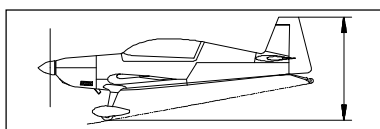
## MAIN DATA

### 06-10-01

### Main Dimensions

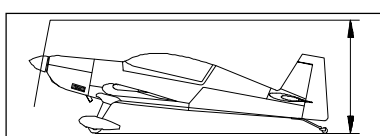
(Refer to Figure 2 on page 6)

Length: 6.51 m (21.36 ft)



*Height 1*

Height 1: 2.62 m (8.60 ft)



*Height 2*

Height 2: 2.51 m (8.23 ft)

Wheelbase: 4.62 m (15.16 ft)

Wheel-track: 1.80 m (5.91 ft)

MTOW: Normal category 840 kg  
Acro (1 seat) 700 kg  
Acro (2 seats) 800 kg

### 06-10-02

### Wing

Span: 7.50 m (24.61 ft)

Area: 10.44 m<sup>2</sup> (112.38 ft<sup>2</sup>)

Airfoil: Root: MA 15 S. Tip: MA 12 S

Chord: Root: 1.85 m. Tip: 0.93 m

MAC: 1.44 m ( 4.72 ft)

Aileron area: 2 x 0.830 m<sup>2</sup> (2 x 8.94 ft<sup>2</sup>)

### **06-10-03**

### **Horizontal Tail**

Span:	3.20 m (10.50 ft)
Area:	2.56 m <sup>2</sup> (27.56 ft <sup>2</sup> )
Airfoil:	Wortmann FX 71-L-150/30

### **06-10-04**

### **Elevator**

Area:	0.77 m <sup>2</sup> (8.29 ft <sup>2</sup> )
-------	---

### **06-10-05**

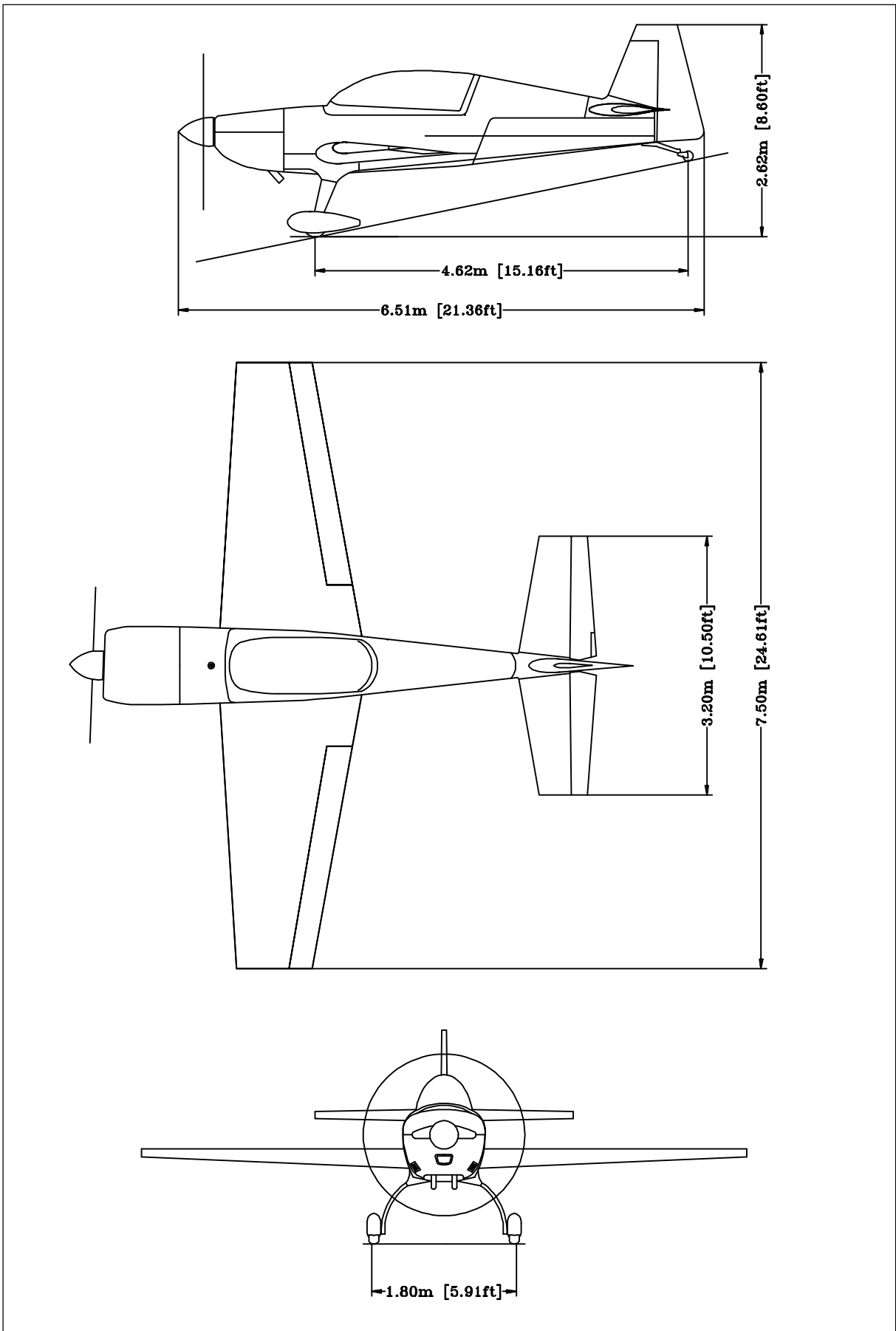
### **Vertical Tail**

Area:	1.39 m <sup>2</sup> (14.96 ft <sup>2</sup> )
Airfoil:	Wortmann FX 71-L-150/30

### **06-10-06**

### **Rudder**

Area:	0.51 m <sup>2</sup> ( 5.49 ft <sup>2</sup> )
-------	--



*Three-View EXTRA 200*  
*Figure 2*