

SERVICE BULLETIN No. 300-4-94

Information Only

Subject: Pitot Static Drain Installation
Models affected: EA-300 EA-300/S
Serial numbers affected: V1,01 through 43 01 through 12
Purpose: Improvement of Pitot Static System
Approval: The technical content of this Service Bulletin have been approved by LBA.

Information:

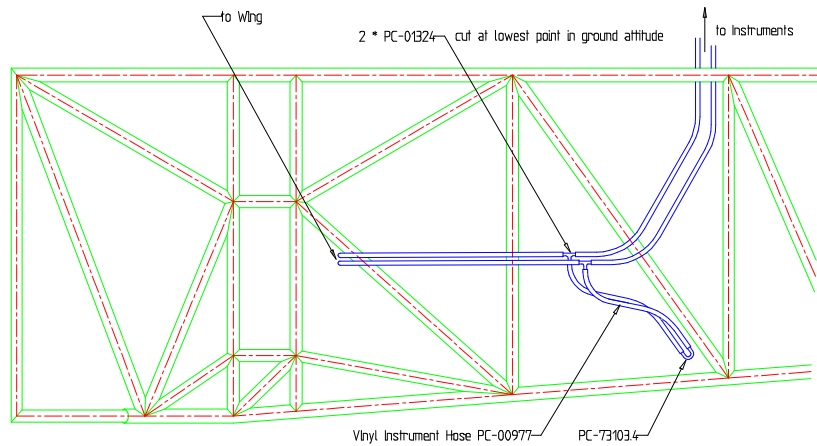
- The pitot static system of the EA-300 and EA-300/S in series production has been improved with the installation of a separate drain within the pitot and static pressure hoses. Without this drain any moisture that eventually accumulates within the hose system needs to be drained by means of removing the instrument panel cover and disconnecting the tubes from the affected instruments.
- As the system improvement can easily be retrofitted EXTRA recommends to do so on the affected serial numbers.
- In any case EXTRA recommends the use of a pitot-tube cover while A/C is parked and advises to check for humidity or water within the instrument hoses. This can easily be accomplished as part of the daily/pre-flight check of the aircraft by visual inspection of the instrument hoses within the cockpit area.

Installation (refer to figure 1 on next page):

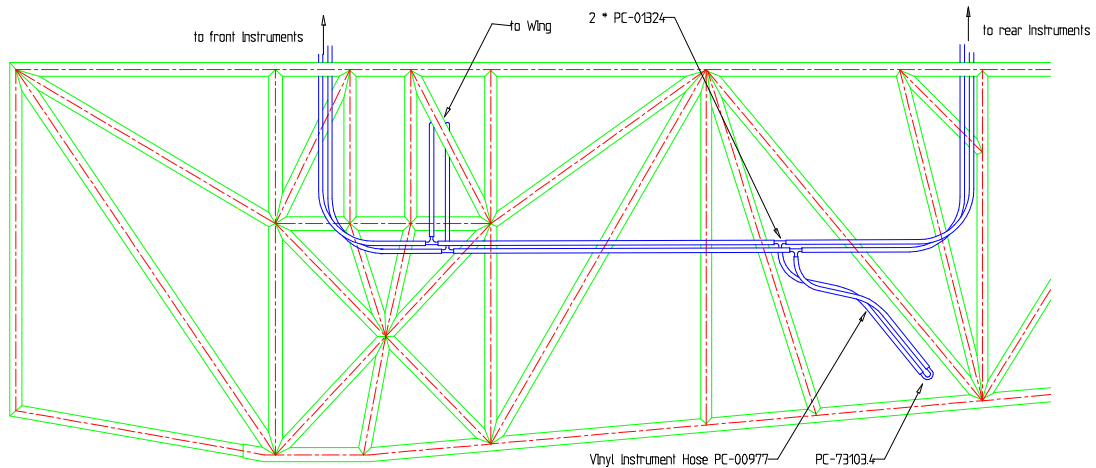
- Cut both pitot and static pressure tube at lowest point of the existing installation.
- Insert T-joint with the additional tube facing downward at the respective cut (Make sure not to mix up the two hoses).
- Route additional tube along fuselage steel frame so that any moisture trapped in there is guided to the end of the tube and is clearly visible to the pilot.
- Close ends of the two additional tubes by means of the U-plug.
- Fasten the tubes and the T-joints using tie-wraps at length intervals of approximately 100mm.
- Make appropriate entry of the installation in aircraft logbook.

Note:- Alterations or repair of the aircraft must be accomplished by licenced personell only.

Fig. 1: Pitot static drain installation:



Pitot Static Drain Installation (EA-300/S)



Pitot Static Drain Installation (EA-300)

Required material:

- Vinyl instrument hose 1/4" approximately 2*500mm (2*1.5ft) PC-00977
- 2 T-joints PC-01324
- 1 U-Plug PC-73103.4
- Tie wraps as required