



SERVICE BULLETIN

No. 300-1-97

Compliance mandatory

Subject: Front seat belt safety cover installation

Aircraft affected: EA-300/200 SN 01 through 15

Purpose: A rudder pedal lock due to interference with the front seat belt harness has been reported.

Approval: The technical content of this Service Bulletin have been approved by LBA.

COMPLIANCE TIME:

Prior to next flight. Until the installation has been performed the aircraft may be used single seated with the front seat belts unmounted.



INSTRUCTIONS:

Extra PN 77205.1 and 77205.2 are to be installed according to figure 1 below.

- Unmount upper fuselage cover.
- Unscrew inner pedal traverse attachment bolts.
- Refasten inner pedal traverse attachment bolts with the safety cover underneath the travers supports using new M5-stop nuts as shown in figure 2.
- Drill two 5.5mm (7/32") borings into safety cover using DG-clamps to find the right position.
- Attach upper end of the safety cover to the steel tubing using two DG-clamps, M5-bolts, M5-stopnuts and M5-washers on either side as shown in figure 3.
- Drill a boring 6,3mm (1/4") each side in this point where seat and safety cover are crossing as shown in figure 4.
- Attach safety cover to seat using M6-bolts, M6-stopnuts and M6-washers as shown in figure 4.
- Check for free rudder pedal movement in all adjustment positions.
- Reinstall upper fuselage cover.
- Make appropriate entry of compliance with this service bulletin in the aircraft logbook.

Note Alterations or repair of the aircraft must be accomplished by licenced personell only.

LIST OF USED PARTS:

- 2 x safety cover PN 77205.1 and 77205.2
- 4 x washers DIN 125 M5
- 4 x washers DIN 9021 M6 (6.4 x 17.8)
- 8 x stopnuts LN 9471 M5
- 2 x stopnuts LN 9471 M6
- 4 x DG-clamps MS 211919 DG 11
- 4 x bolts LN9471 M5 x 18
- 2 x bolts LN9471 M6 x 20

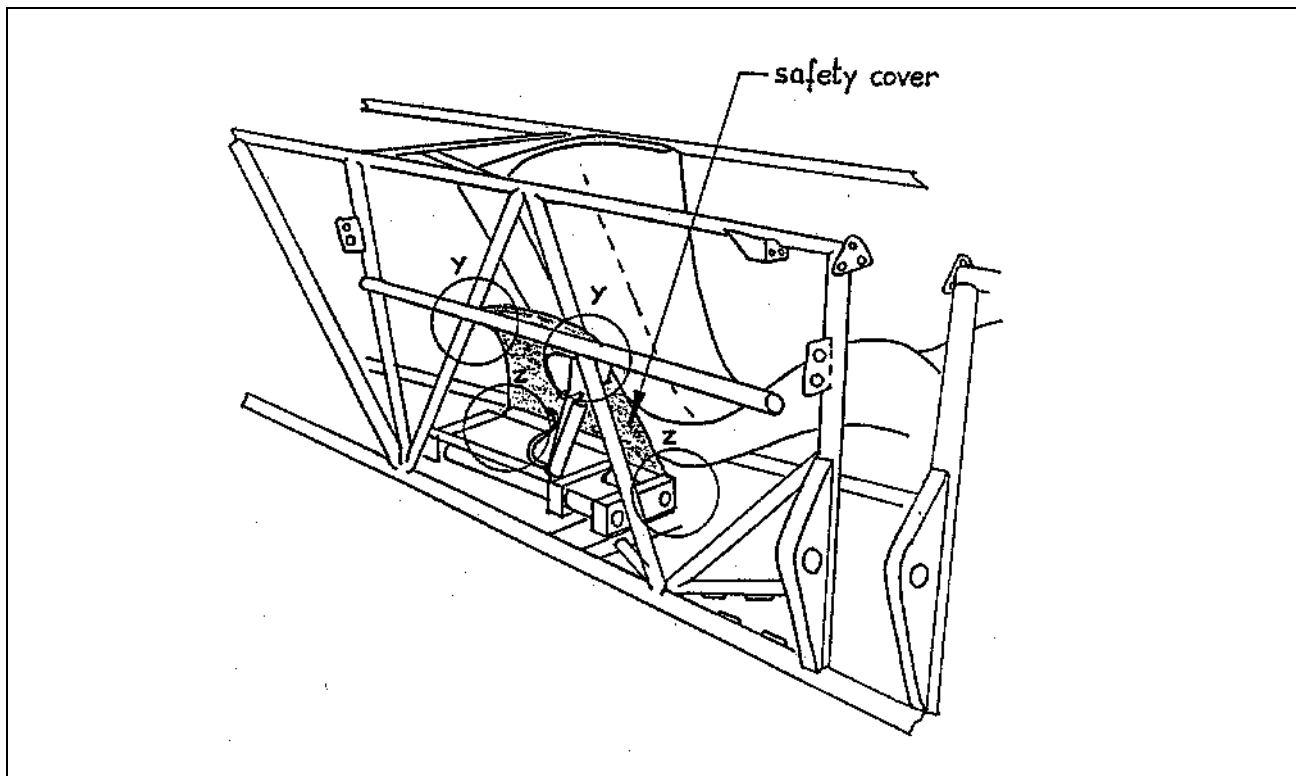


figure 1

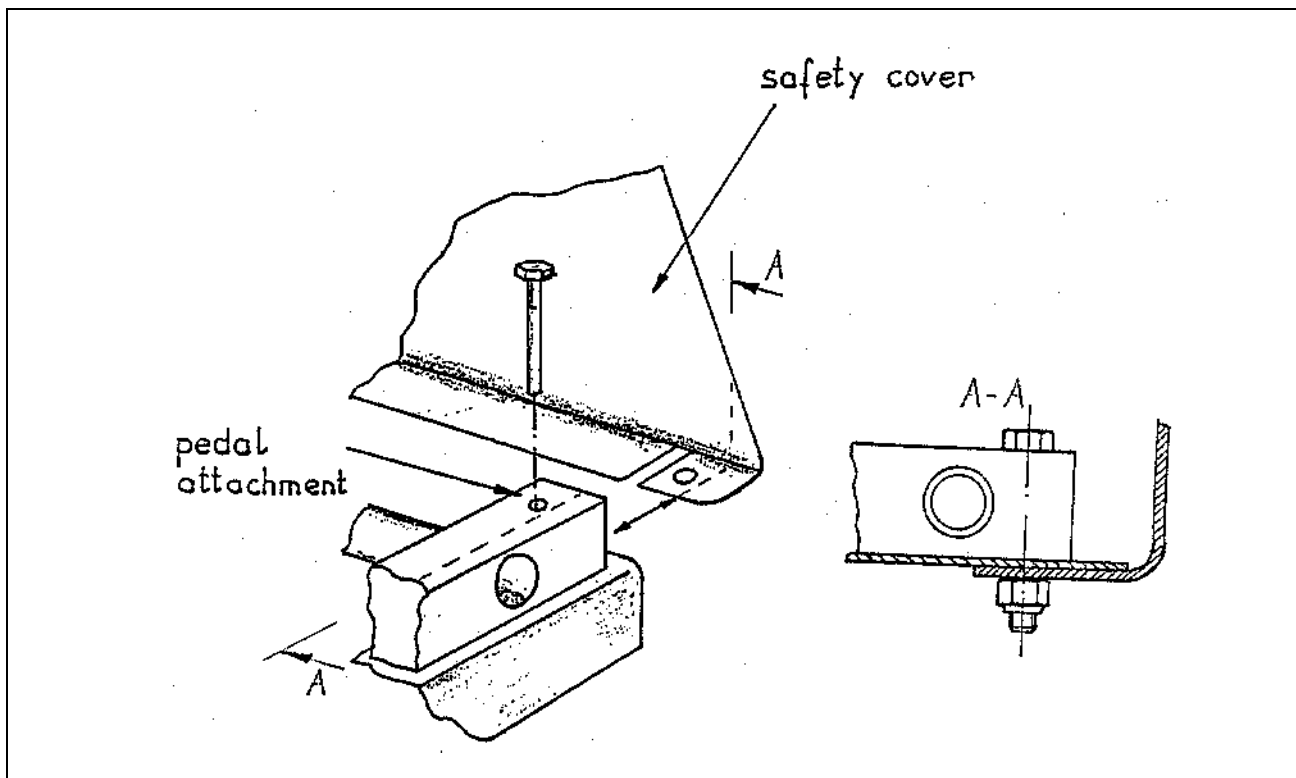


figure 2

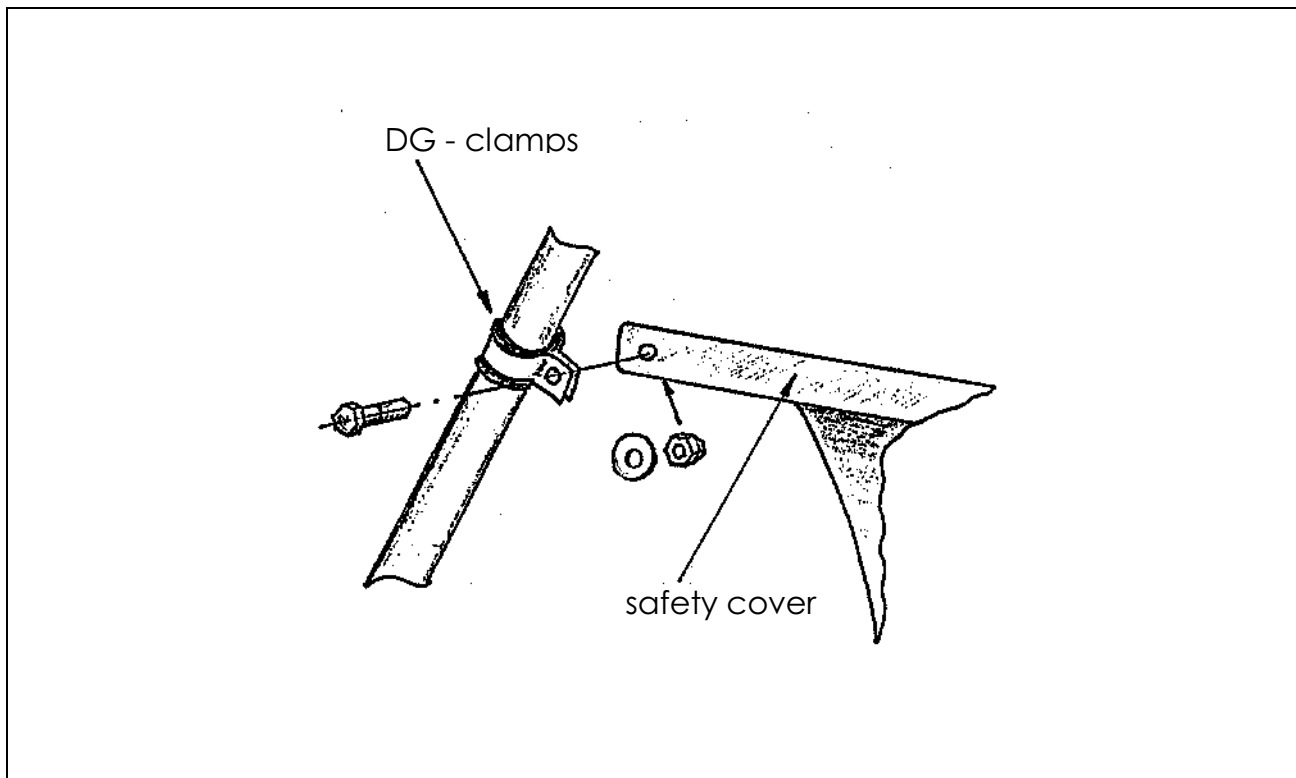


figure 3

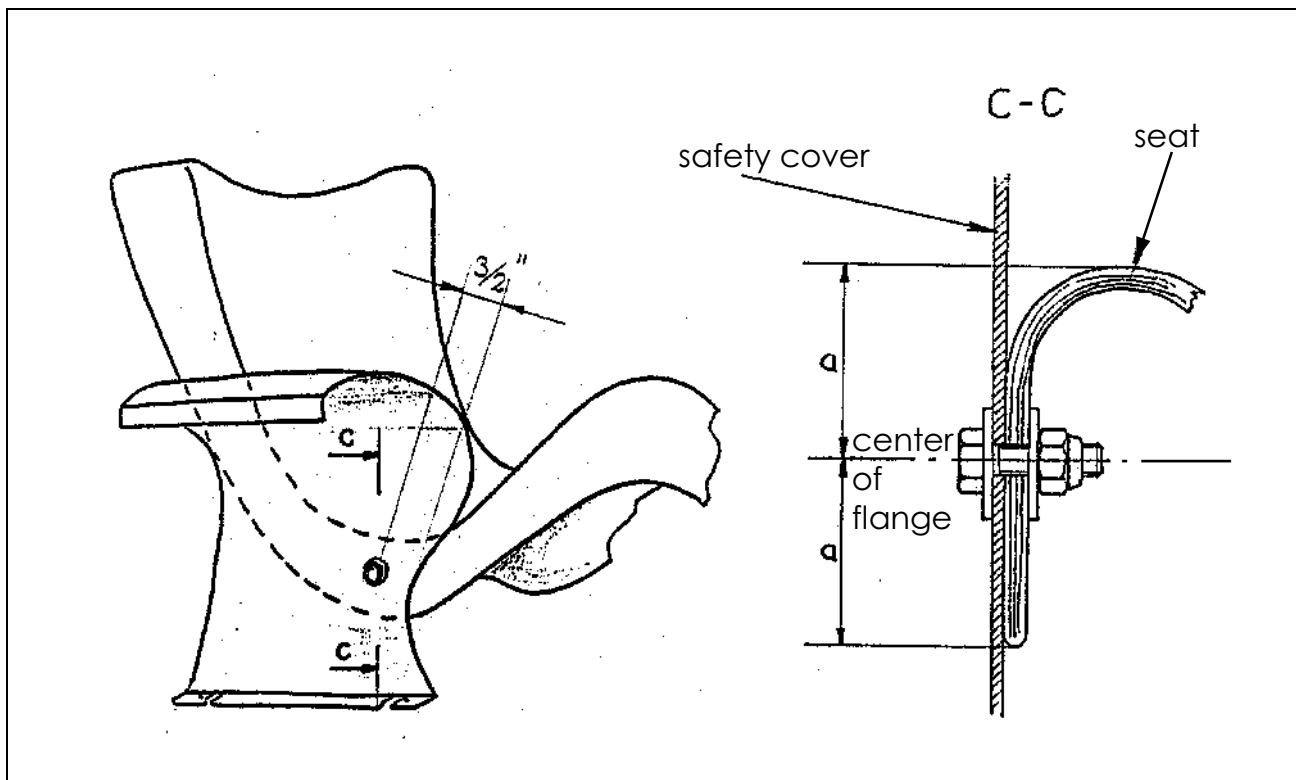


figure 4